



Ship-mounted thermal PTZ thermal camera



EOS-B110-C PTZ mounted on a vessel

Description

The EOS-B110-C ship-mounted thermal PTZ is an intelligent integrated product used on boats and ships. It is suitable for installation on the deck of vessels and works with the on-board hard disk video recorder to provide users with smooth, stable high-definition video images. It enables high-definition image capture, PTZ control and zoom control.

It can be used in numerous applications such as: pleasure boats, cruise ships, engineering vessels, maritime surveillance vessels, merchant ships, fishing vessels, anti-smuggling vessels and other ships; it is also widely used in forest fire prevention, tourist attractions, wetland protection, reservoirs, petrochemicals, power supply systems, public security law enforcement, urban and mountain surveillance, airport runways, land and resource protection, monitoring of maritime search and rescue operations, nuclear power stations, secure cities, prisons, warehouses, long-distance pipelines, large factories, mining areas, shipyards, border and coastal defence lines, maritime fisheries management, ecological protection zones, reservoirs, military bases and other scenarios requiring exceptional wind resistance, telephoto surveillance and long-range night vision.

Product name:

EOS-B110C on-board PTZ camera

Order number:

EOS-B110C

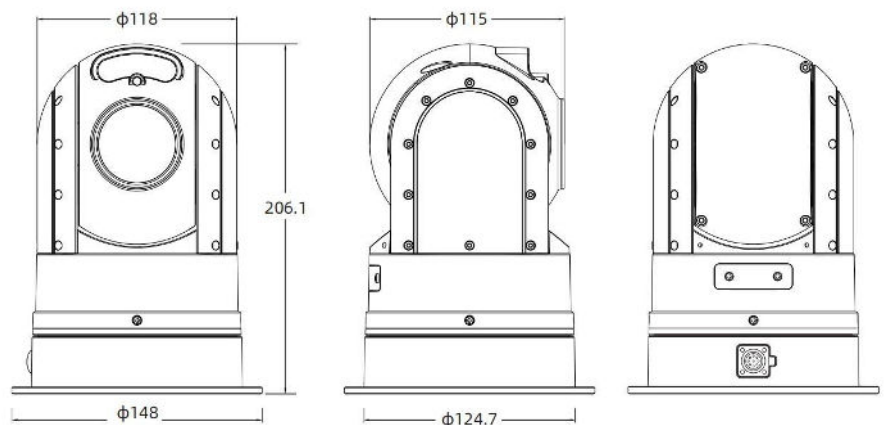
Application:

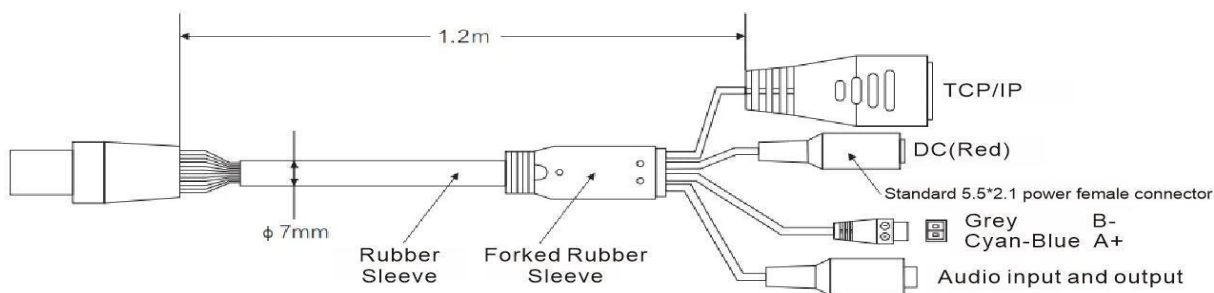
It can be used in a wide range of applications such as: cruise ships, engineering vessels, maritime surveillance vessels, merchant ships, fishing vessels, anti-smuggling vessels and other vessels; It is also widely used in forest fire prevention, tourist attractions, wetland protection, reservoirs, petrochemicals, power supply systems, law enforcement, high-altitude urban surveillance, airport runways, land and resource protection, maritime search and rescue operations, nuclear power stations and cities.

Feature description:

- Integrated structural design, protection rating up to IP67.
- Compact size, lightweight, with a single camera weighing no more than 2.5 kg
- Fixed 384×288/12μm lens, 35mm fixed lens (640×512 optional)
- Continuous 360-degree rotation, supporting patrol, linear scanning, preset position, parking position, etc.
- Supports network control, supports IP/RS485, PTZ keyboard controller
- Suitable for roof mounting
- Wide-voltage design, input voltage range 9–36 V.
- Equipped with an isolated DC-DC wide-input voltage power supply module
- Network output, supports Hikvision and Dahua consumer-grade vehicle hard disk recorders as well as web browsers (client)
- Supports AHD/TVI/CVI

Product dimensions:





Technical specifications:

System	Hisilicon embedded system	
Protocol	ONVIF protocol, compatible with Hikvision and Dahua systems	
Input	1 integrated channel, 1 video channel and 1 audio channel	
PTZ	Pan range	Continuous 360° rotation
	Tilt range	-30° to 90
	Rotation speed	Pan control speed: 100°/s, tilt control speed: 60°/s
	Presets	255
	Patrol	4x
	Line scan	Support
	Parking function	Support
Thermal imaging	Detector type	Uncooled type Vox
	Resolution	384 x 288, 640 x 512
	Pixel pitch	12 μm
	Response band	8–14 μm
	Frame rate	50 Hz
	Lens focal length	Fixed lens 35 mm, 25 mm, 15 mm
	Lens F-number	F1.0–F1.2
	Field of view	4.2°–3.3°–20.6°–16.5°
	Grey-scale alarm	Implementation of an alarm for image markers, for serial communication and an IO alarm
	Alarm response time	≤ 0.2 s
	Polarity	Warm black/warm white
	Pseudo-colour	Support
	Image processing	Image detail enhancement (DDE), automatic gain control (AGC), digital noise reduction
	Brightness and contrast adjustment	Manual / AUTO
	Analogue video output	1 PAL channel
Digital video output	10-bit or 14-bit LVDS-H/F, 10-bit or 14-bit LVCMOS, BT.656, BT.1120	
Control interface	RS-232/RS-485/UART/RS-422/RJ45	
Compression	H.264/H.265	
Bitrate	32 Kbps–16 Mbps	
Frame rate	1–25 frames per second (50 Hz) 1–30 frames per second (60 Hz)	
Stream	Support for dual streams: main stream (1080p; 960p; 720p), secondary stream (D1; VGA; CIF)	
Snapshot	Supported resolutions	D1/720P/1080P (default)
Audio	Audio input	Optional
	Compression standard	G711
	Sampling rate	16 K, 32 K, 64 K, 128 K
Alarm	Input	1 channel -
	Output	1 group

Technical specifications:

Indicator light	Power indicator / 1 group	
Accessories	Interface cable	Standard
	Charger	DC 12.6 V / 3 A
Protection rating		IP67
Operating temperature		-30 to 60 °C
Operating humidity	0 to 95% non-condensing	
Operating voltage	Wide-range design 9 to 36 V	
Dimensions	Max. $\Phi 125 \times 118 \times 206$ mm	
Weight	Unloaded weight 2.3 kg	
Mounting	Ship mounting, optional magnetic suction cup and optional carrying case	