

IP67-rated PTZ camera for mobile/maritime surveillance

EOS-SR970-2133

The EOS-SR 970 series mobile PTZ camera is designed for mobile surveillance applications.

Thanks to its excellent waterproofing (IP67) and optional gyroscope stabilisation, it is also widely used in the maritime sector.

The PTZ camera can be optionally ordered with HDIP or analogue

Thanks to its integrated IR LED, it can see up to 150 m in total darkness.



- 1920 × 1080 progressive scan CMOS sensor, day/night surveillance
- 33x optical zoom, 4.8 to 158 mm
- IR LED lighting for night vision, IR range of 150 m
- 360° (unrestricted)
- IP67-rated
- Operating temperatures between -40 °C and +60 °C
- Optional magnetic mount
- Optional shock absorber
- Optional dual-sensor version, for integration with a thermal camera





EOS-SR970 Series

■ Specifications	
Part number	EOS-SR970-2133
Camera	
Sensor	1/2.8-inch progressive scan CMOS
Effective pixels	1920 (H) x 1080 (V), 2 MP
Min. illumination	Colour: 0.001lux@F1.5; B&W: 0.0005lux@F1.5 (IR enabled)
Electronic shutter	1/25 to 1/100,000 s
Lens	
Focal length	4.8 mm–158 mm
Optical zoom	33x optical zoom, 16x digital zoom
Aperture range	F1.5–F4.0
Field of view	H: 58.9–2.4° (wide angle–telephoto)
Working distance	100–1,500 mm (wide-angle–telephoto)
Zoom speed	Approx. 3.5 s (optical lens, wide-angle–telephoto)
Video	
Compression	H.265, H.264
Streaming	3 streams
BLC	BLC / HLC / WDR (120 dB)
White balance	Auto, ATW, Indoor, Outdoor, Manual
Gain control	Auto / Manual
Network	
Protocols	TCP/IP, ICMP, HTTP, HTTPS, FTP, DHCP, DNS, RTP, RTSP, RTCP, NTP, SMTP, SNMP, IPv6, etc.
Network interface	RJ45 10Base-T/100Base-TX
Interface protocol	ONVIF 2.4
Built-in storage	Built-in memory card slot, Micro SD compatible, up to 128 GB
PTZ	
Pan range	360° continuous
Pan speed	0.05° to 80°/s
Tilt range	-20° to 90°
Tilt speed	0.05° to 80°/s
Presets	255
Patrol scan	6 patrols, 18 presets for each patrol, adjustable reset time
Pattern scan	4, with a total recording time of at least 10 minutes
Power-off memory	Support
Infrared	
Infrared range	150 m
IR intensity	Automatic adjustment based on zoom ratio
General	
Power supply	12 to 24 V DC
Power consumption	40 W (max.)
Operating temperature	-40 to 60 °C
Humidity	90% or less
Protection rating	IP67, lightning protection TVS 4000 V, surge protection and voltage transient protection
Weight	6.5 kg
Dimensions	φ197*316 mm



EOS-SR970 Series

Available models

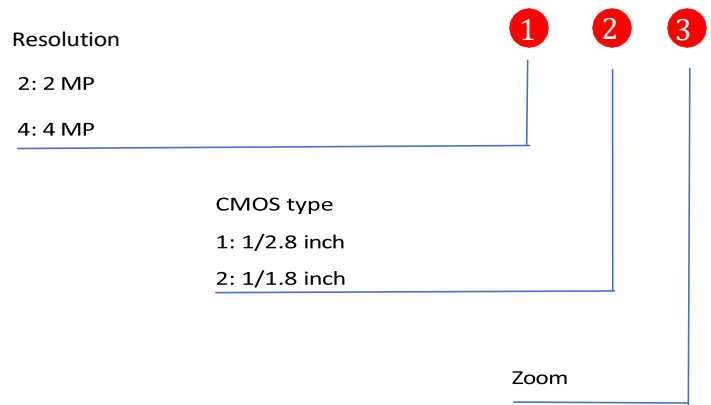
EOS-SR970-2133

Meaning of the model name



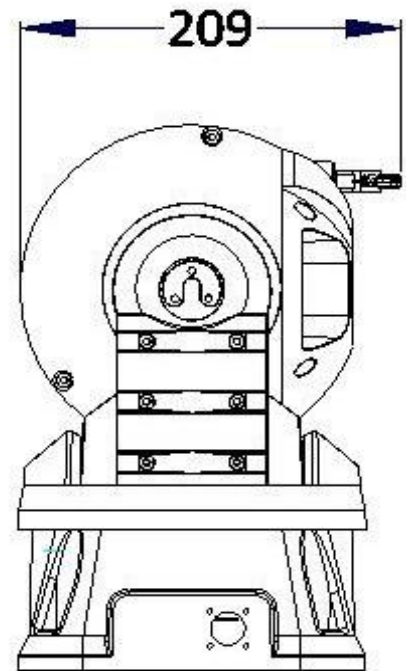
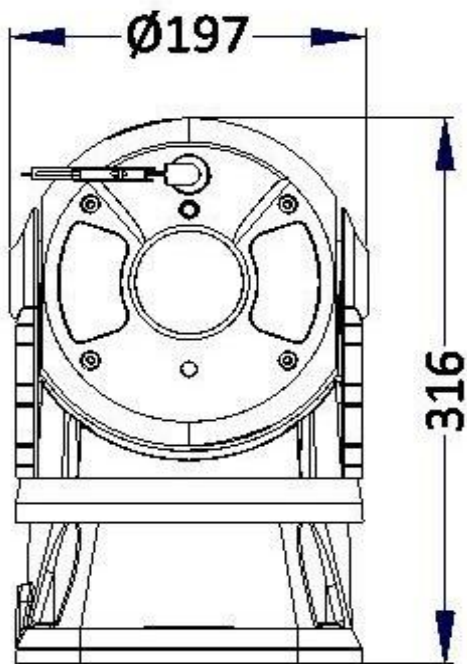
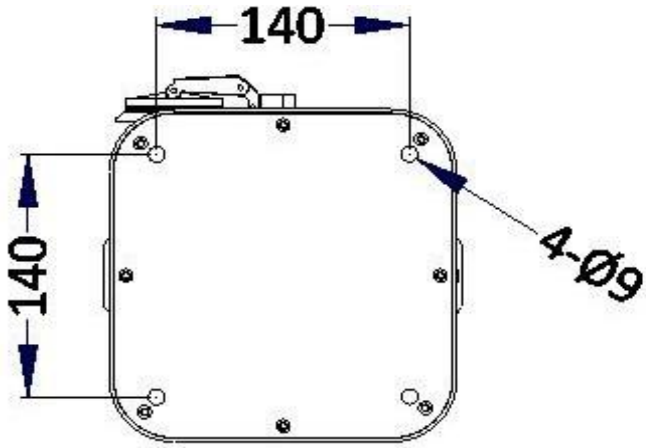
OPTIONS

EOS-SR970-2126
EOS-SR970-4133



- Typical application
 - Video surveillance in police cars
 - Military vehicle surveillance
 - Maritime surveillance
 - Video surveillance robot
 - Patrol vehicle surveillance
 - Mining surveillance
 - Fire rescue camera

■ Dimensions (unit in mm)



IP67 dual-lens PTZ camera

EOS-SR970-TH625A33

The EOS-SR970-TH series IP67 dual-sensor PTZ camera is a robust, vehicle-mounted PTZ camera system. It features a 30x day/night HD zoom and an uncooled thermal camera, enabling long-range surveillance both day and night.

Featuring an aluminium housing and excellent waterproofing, the camera is designed to an IP66/67 rating, protecting the internal components from dust, dirt and liquids. Its robust and mobile mounting options make this camera the ideal choice for numerous mobile surveillance applications, such as law enforcement, military vehicle surveillance, specialised robots and maritime surveillance.



- 2 MP; 33x optical zoom
- Optional thermal lens, up to 40 mm
- 640 × 512 resolution, high-sensitivity sensor, contrast adjustment supported
- IP67 rating
- ONVIF compliant
- Optional gyroscope stabilisation
- Ideal for mobile surveillance, vehicles and maritime applications





EOS-SR970 Series

■ Specifications	
Part number	EOS-SR970-TH625A33
Thermal imaging	
Detector	Uncooled amorphous silicon FPA
Sensor format/Pixel pitch	640 x 512 / 12 μ m
Frame rate	50 Hz/30 Hz
Response spectra	8 to 14 μ m
NETD	\leq 50 mK at 25 $^{\circ}$ C, F#1.0 (\leq 40 mK optional)
Objective	25 mm, F1.0
Focus type	Thermal stabilisation
Field of view	17 $^{\circ}$ x 14 $^{\circ}$
Digital zoom	Continuous zoom 1.0–8.0 \times
Brightness and contrast adjustment	Manual/Auto0/Auto1
Polarity	Warm black / Warm white
Palette	Support
Daylight camera	
Image sensor	1/2.8-inch progressive scan CMOS
Resolution	2 MP, 1920 x 1080
Minimum illumination	Colour: 0.001 lux (F1.5, AGC on); B&W: 0.0005 lux (F1.5, AGC on)
Shutter	1/25 s to 1/100,000 s; supports delayed shutter
Aperture	CC control
Day/night switch	ICR cut-off filter
Digital zoom	16x
Focal length	4.8–158 mm, 33x optical zoom
Aperture range	F1.5–F4.0
Field of view	Horizontal field of view: 58.9–2.4 $^{\circ}$ (wide angle–telephoto)
Video compression	H.265 / H.264
Protocols	TCP/IP, ICMP, HTTP, HTTPS, FTP, DHCP, DNS, RTP, RTSP, RTCP, NTP, SMTP, SNMP, IPv6
Interface protocol	ONVIF (PROFILE S, PROFILE G)
Pan/Tilt	
Pan range	360 $^{\circ}$ (endless)
Pan speed	0.05 $^{\circ}$ /s ~ 80 $^{\circ}$ /s
Tilt range	-20 $^{\circ}$ ~ 90 $^{\circ}$ (automatic reversal)
Tilt speed	0.05 $^{\circ}$ ~ 80 $^{\circ}$ /s
General	
Power supply	12 V–24 V DC power supply, wide input voltage range; Power consumption: \leq 40 W;
COM/Protocol	RS 485/PELCO-D
Video output	1 thermal imaging video channel; network video, via RJ45 1 HD video channel; network video, via RJ45
Operating temperature	-40 $^{\circ}$ C to 60 $^{\circ}$ C
Mounting	Vehicle mounting; mast mounting
Ingress protection rating (IP rating)	IP67
Weight	6.5 kg
Dimensions	Φ 197*316 (mm)

■ DRI range table

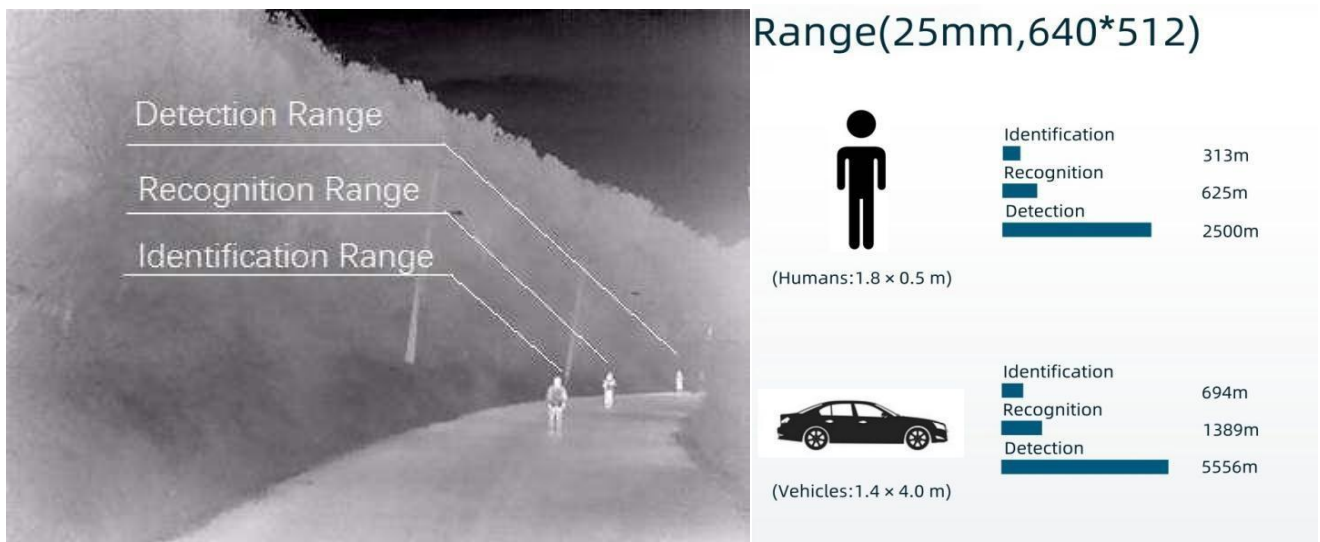
*This table is provided for guidance only and performance may vary depending on the environment.

*Optimal detection, recognition and identification distances are calculated according to Johnson's criteria.

Detection range: to distinguish an object from the background, it must occupy at least 1.5 pixels.

Recognition range: to classify the object (animal, person, vehicle, etc.), it must occupy at least 6 pixels.

Identification range: to identify the object and describe it in detail, it must occupy at least 12 pixels





EOS-SR970 Series

Available models

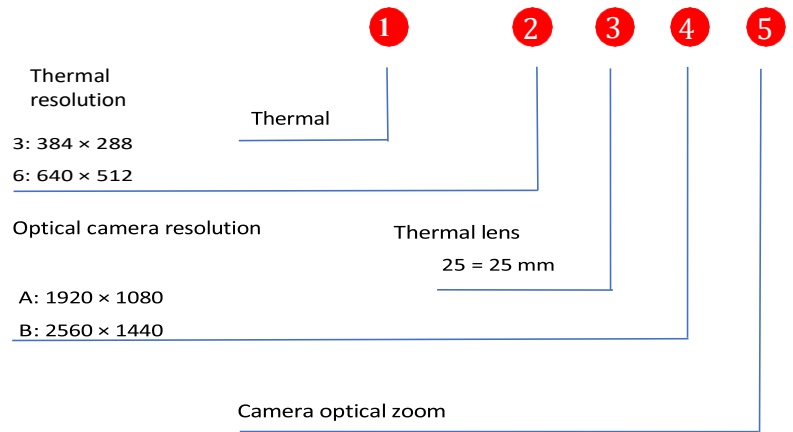
EOS-SR970-TH625A33

OPTIONS

EOS-SR970-TH319A33
EOS-SR970-TH325A33
EOS-SR970-TH619A33
EOS-SR970-TH625B33

Meaning of the model name

E O S SR 970 TH 6 25 A 33



Typical application

Video surveillance in police cars

Military vehicle surveillance

Maritime surveillance

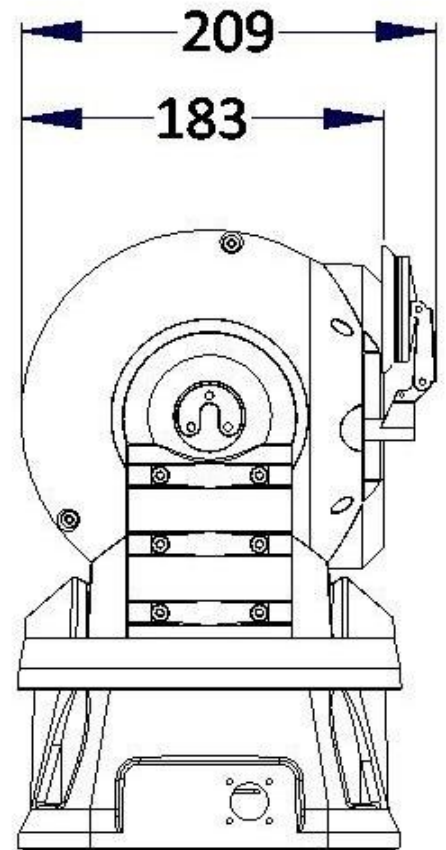
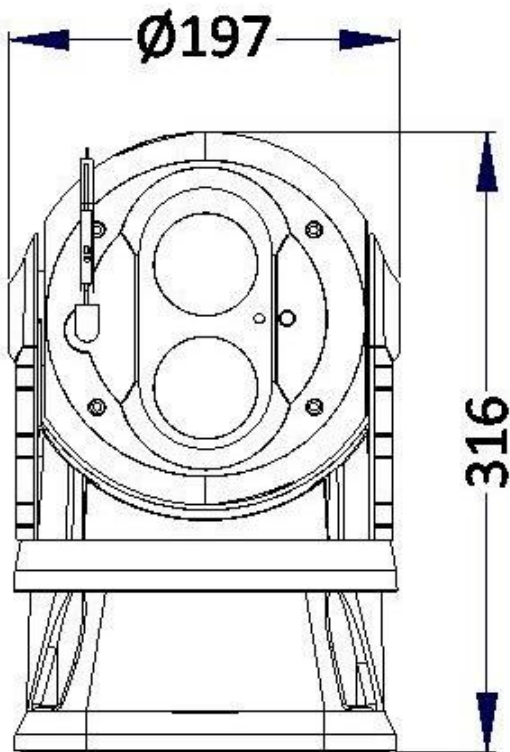
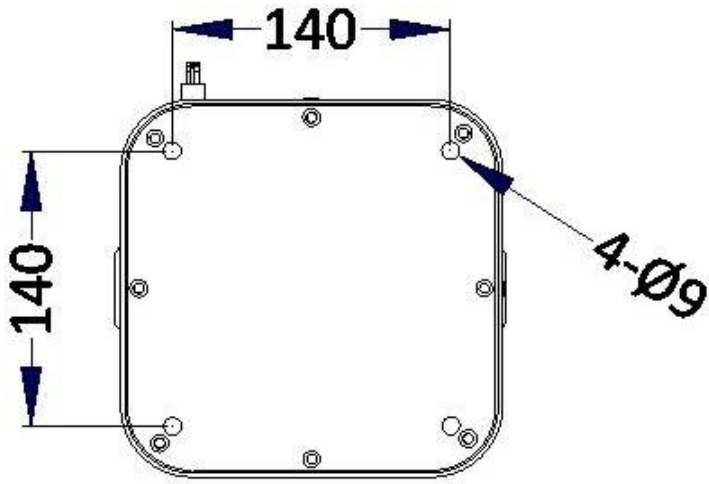
Robotic video surveillance

Patrol vehicle surveillance

Mining surveillance

Fire rescue camera

■ Dimensions (unit in mm)



IP67 PTZ camera with laser illumination

EOS-SR970-2133LS8

The mobile PTZ camera from the is designed for mobile surveillance applications.

Thanks to its excellent waterproofing (IP67) and optional gyroscope stabilisation, it is also widely used in the maritime sector. The PTZ camera can be ordered with an optional HDIP, analogue or SDI output; its laser illumination allows it to see up to 800 m in total darkness.



- 2 MP, 33x optical zoom
- Laser illumination for night vision, laser range of 800 m
- IP67 weather resistance
- ONVIF compliant
- Ideal for mobile surveillance, vehicles and maritime applications
- Operating temperatures between -40 °C and +60 °C
- Optional gyroscope stabilisation
- Optional shock absorber





EOS-SR970 Series

■ Specifications

Part number EOS-SR970-2133LS8

Camera

Image sensor	1/2.8-inch progressive scan CMOS
Effective pixels	1920 (H) × 1080 (V), 2 MP
Minimum illumination	Colour: 0.001Lux@F1.5; B&W: 0.0005Lux@F1.5 (IR enabled)

Lens

Focal length	4.8 mm–158 mm
Optical zoom	33x optical zoom

PTZ

Pan range	360° continuous
Pan speed	0.05°–80°/s
Tilt range	-20° to 90°
Tilt speed	0.05°–80°/s
Number of presets	255
Patrol	6 patrols, up to 18 presets per patrol
Model	4, with a total recording time of at least 10 minutes
Power failure recovery	Support
Closed-loop system	Support

Infrared

IR range	Up to 800 m
IR intensity	Automatic adjustment based on zoom ratio

Video

Compression	H.265/H.264
Streaming	3 streams
BLC	BLC/HLC/WDR (120 dB)
White balance	Auto, ATW, Indoor, Outdoor, Manual
Gain control	Auto/Manual

Network

Ethernet	RJ-45 (10/100Base-T)
Interoperability	ONVIF, PSIA, CGI
Web viewer	IE10/Google/Firefox/Safari...

General

Power supply	12 to 24 V DC, 40 W (max.)
Operating temperature	-40 °C to 60 °C
Humidity	90% or less
Protection rating	IP67, TVS 4000 V Lightning protection, surge protection
Mounting options	Vehicle mounting; pole mounting
Weight	6.5 kg
Dimensions	Φ197*316 (mm)



EOS-SR970 Series

Available models

EOS-SR970-2133LS8

OPTIONS

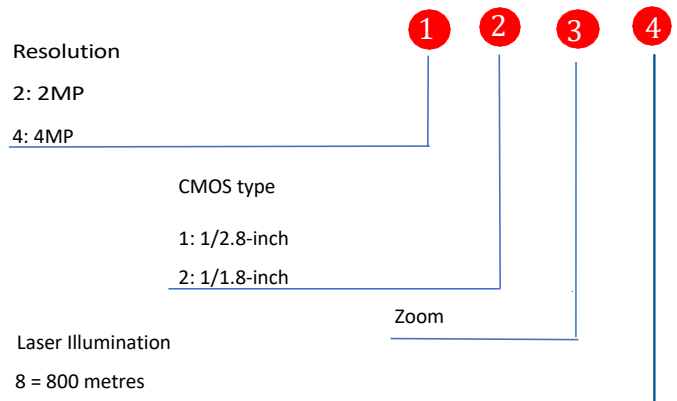
EOS-SR970-2133LS5

EOS-SR970-4133LS5

EOS-SR970-4133LS8

Meaning of the model name

E O S SR 970 - 2 1 33 LS8



Typical application

Video surveillance in police cars

Military vehicle surveillance

Maritime surveillance

Robotic video surveillance

Patrol vehicle surveillance

Mining surveillance

Fire rescue camera

■ Dimensions (unit in mm)

